

Fortress Cimb-Guard Technical Spec

Fixing Detail

Fixings for galvanised brackets into timber fascia and trusses which should be of sound quality

Stainless steel screw M5 x 40/70mm with neoprene washer (2 per bracket at 750mm centres)

Fence mesh
76.2mm x 12.7mm resistance welded at each intersection

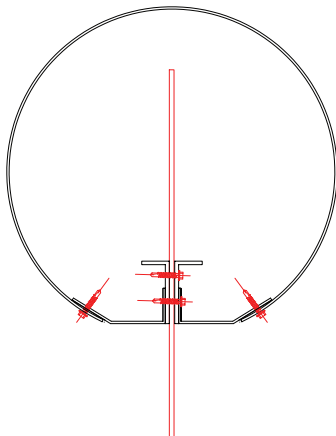
Wire
Hard drawn 4mm steel

Box section
RHS or CHS, designed to suit specific applications

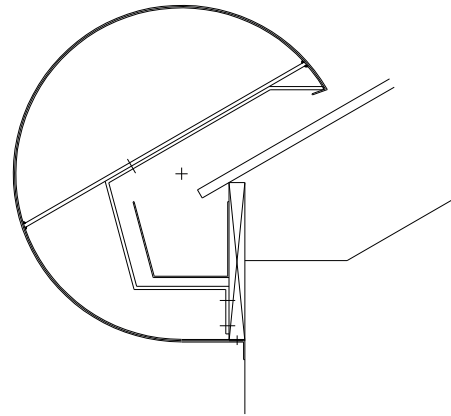
Finish

Finished to BBA approved polyester powder coatings, in-house powder coating facility

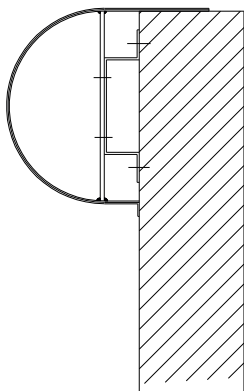
16 standard factory applied colours, any non-stock RAL colour available on special order



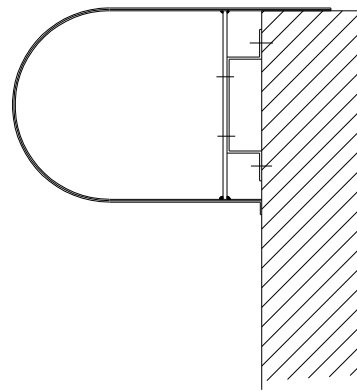
Double sided Cimb-Guard for fenced areas



Cimb-Guard for low roof standard pitched 500mm - 800mm



Low wall Cimb-Guard direct fix standard projection 400mm



Low wall Cimb-Guard direct fix large projection 650mm