

Fortress Climb-Guard

Fixing Detail

Fixings for galvanised brackets into timber fascia and trusses which should be of sound quality

Stainless steel screw M5 x 40/70mm with neoprene washer (2 per bracket at 750mm centres)

Fence mesh
76.2mm x 12.7mm resistance welded at each intersection

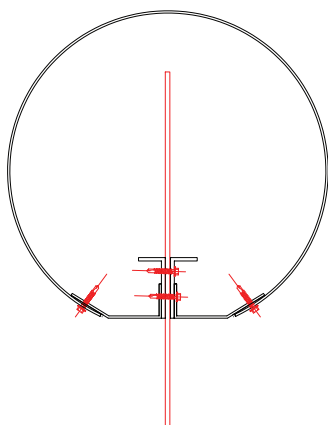
Wire
Hard drawn 4mm steel

Box section
RHS or CHS, designed to suit specific applications

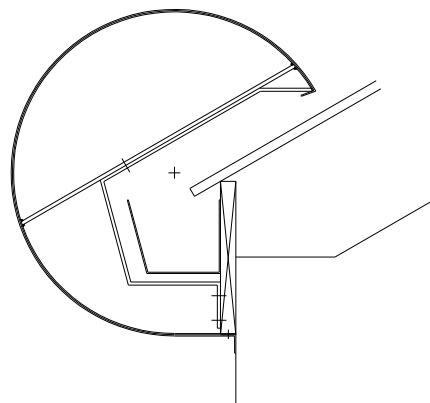
Finish

Finished to BBA approved polyester powder coatings, in-house powder coating facility

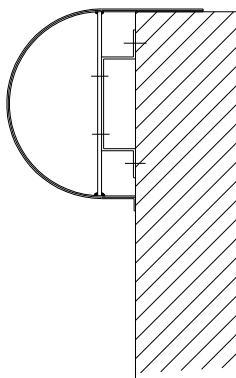
16 standard factory applied colours, any non-stock RAL colour available on special order



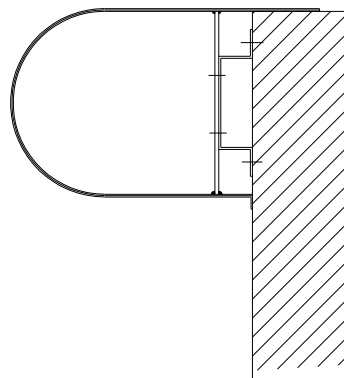
Double sided Climb-Guard for fenced areas 350mm - 550mm



Climb-Guard for low roof standard pitched 500mm - 800mm



Low wall Climb-Guard direct fix standard projection 400mm



Low wall Climb-Guard direct fix large projection 650mm

Important: The information above is provided for guidance purposes only. It is provided subject to contract and no representation or warranty is made or intended. The product should be assessed or tested by each Client to ensure it meets the requirement of their patient group and intended use.

Anti-ligature/Climb disclaimer: This product may have varying degrees of anti-ligature and anti-climb characteristics. Any anti-ligature and anti-climb characteristics there may be are only intended to supplement and not replace or be an alternative to appropriate risk assessment and supervision of those who may be at risk. Other necessary protective measures may be required in the specific circumstances of usage. The customer must satisfy itself that the product(s) are suitable for their intended use. Britplas does not offer any products for sale as being 'ligature-free' or 'climb free' and to the fullest extent permissible under applicable law it will not be liable for any claims connected to or arising from the attachment of ligatures on its products.